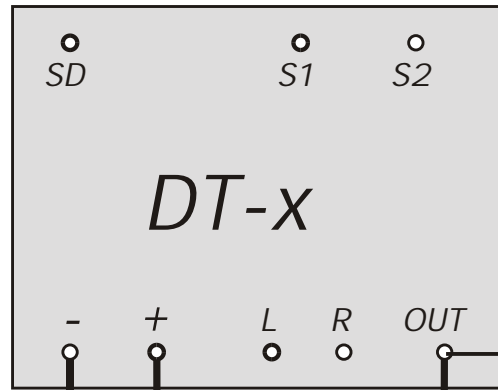
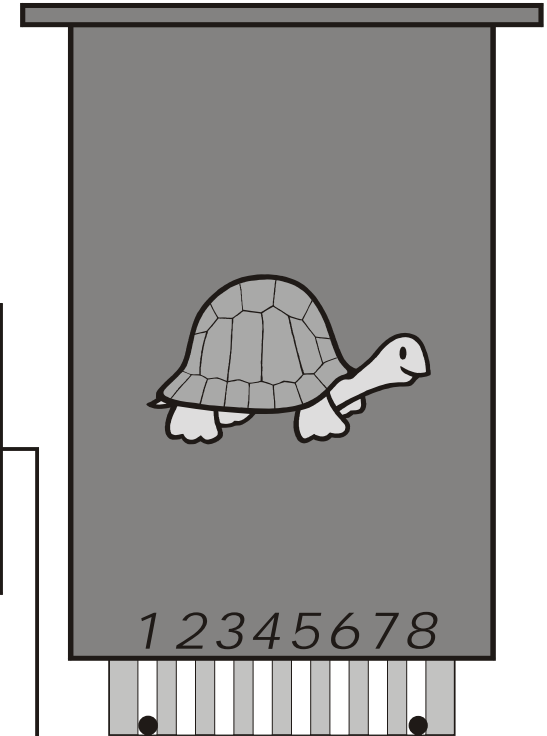
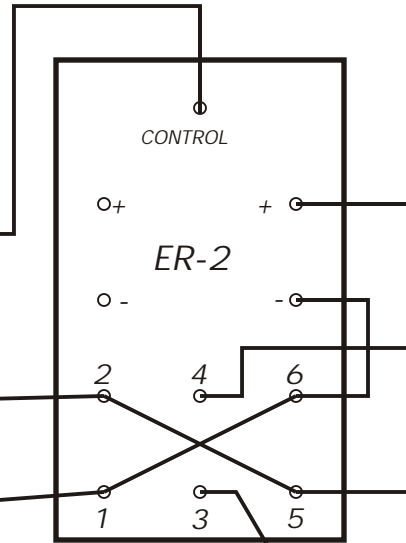




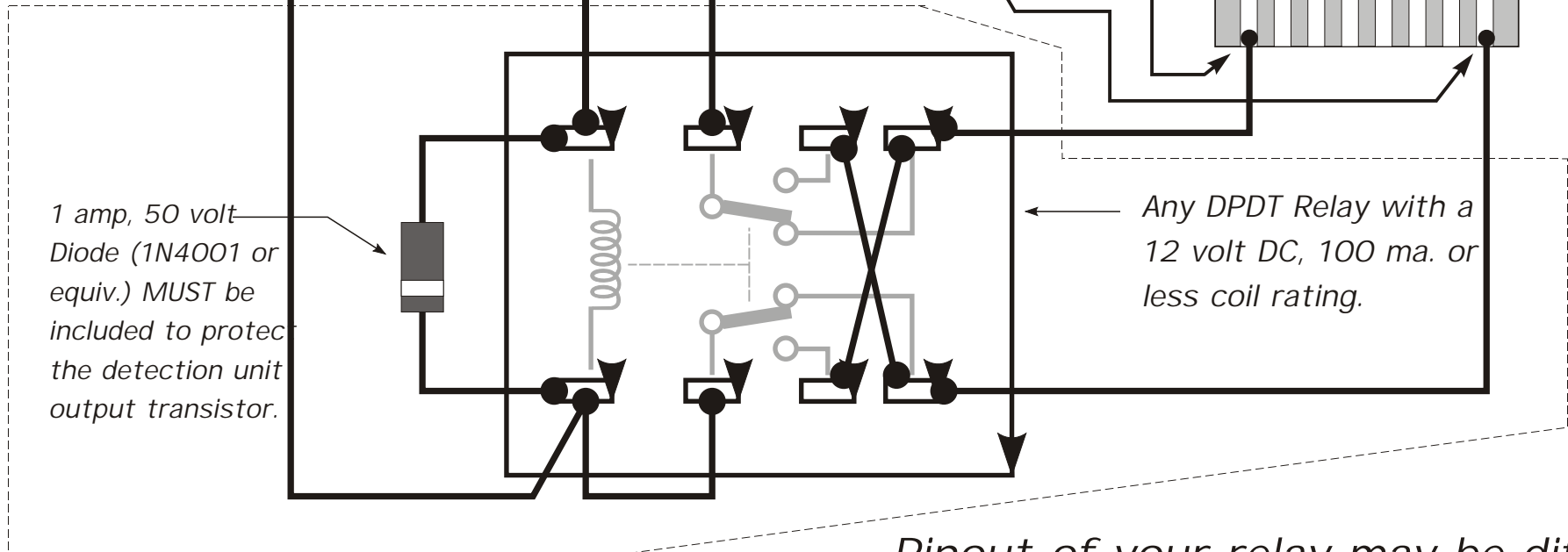
211 RocBaar Drive
Romeoville, IL 60446
(815) 886-9010



If using the ER-2, connect as shown below and disregard all connections within the dotted lines. If the TORTOISE runs in the wrong direction, interchange connections to 3 and 4.



12 volts DC



Any DPDT Relay with a 12 volt DC, 100 ma. or less coil rating.

Pinout of your relay may be different