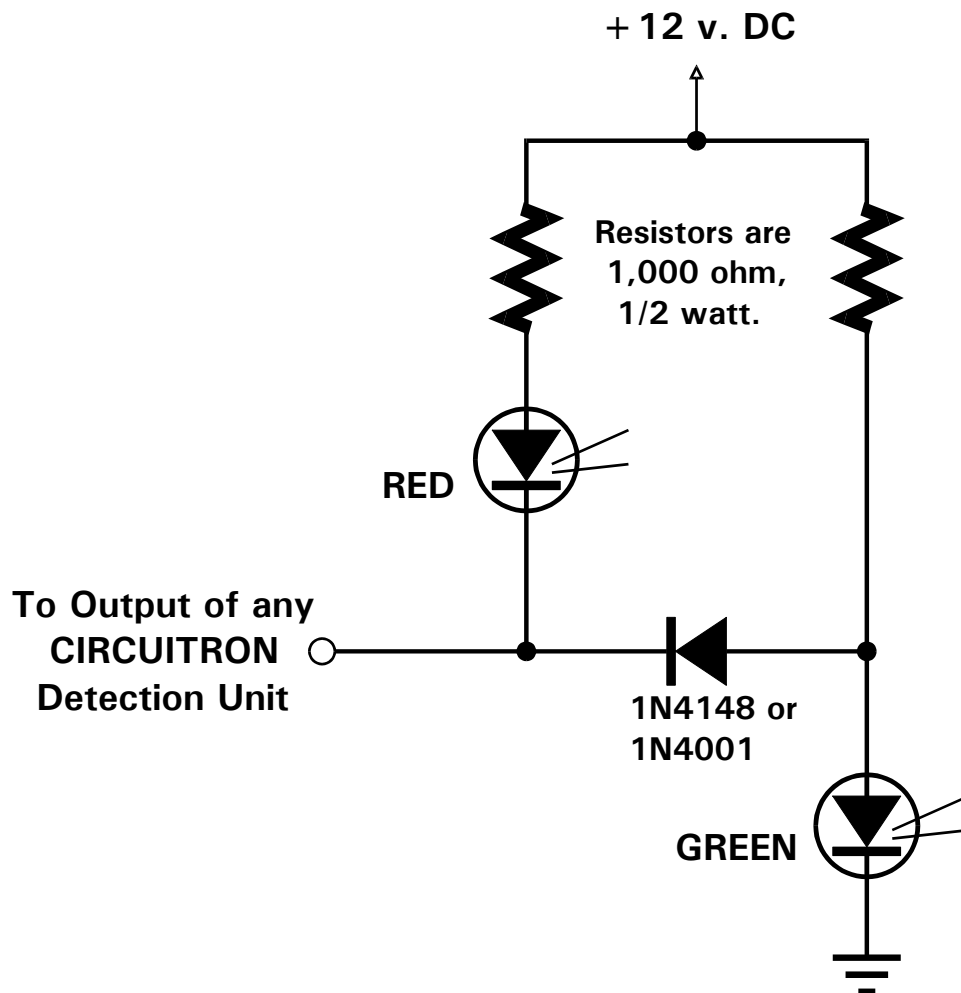


ACHIEVING 2 ASPECT SIGNALLING OR PANEL LIGHTING WITH LEDs AND ANY CIRCUITRON DETECTION UNIT OUTPUT



NOTES:

- Although the power source to the Light Emitting Diodes is shown as 12 volts DC, any DC power source up to 30 volts can be used. The values of the current-limiting resistors will have to be changed if the supply voltage is different.
- Any color Light Emitting Diodes may be used.
- As drawn, the green LED will be ON when the detection unit is OFF; the red LED will be ON when the detection unit is ON. If you prefer the opposite action, interchange the two LEDs.
- The cathode side of the LED corresponds to the horizontal bar in the LED symbol. The cathode of the LED is usually marked by a flat spot, a spot of paint, or by the shorter lead.